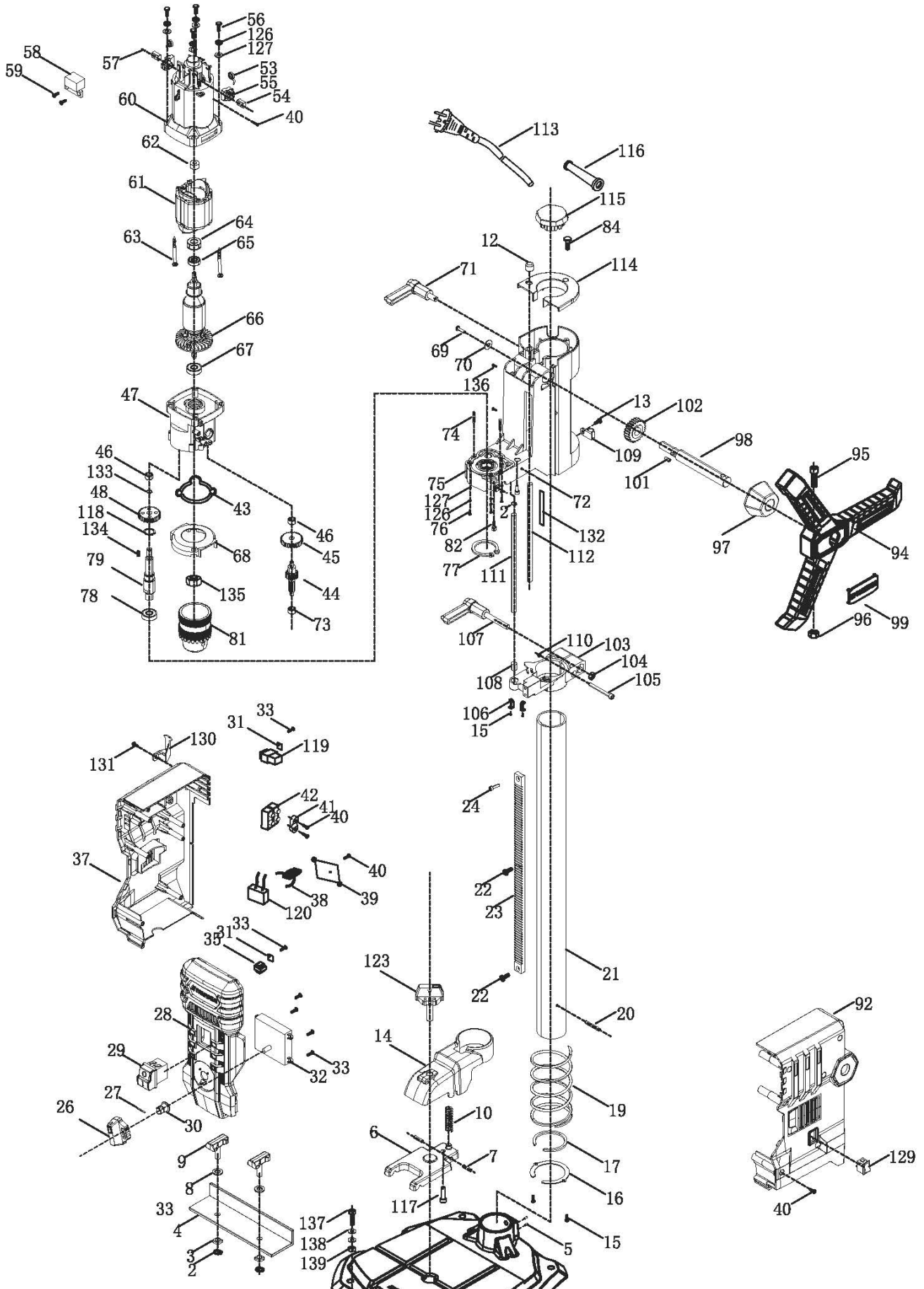




3906816975

Drill Press
PTBMOD710B2
Parkside Lidl
geographical zone 2 -





3906816975

Drill Press
PTBMOD710B2
Parkside Lidl
geographical zone 2 -

Main products**Spare part list**

3906816975

211439 - 0110 - PTBMOD710B2 - -

Spare	Description	additional	Item	Abb.	ConstructStatus
3906816001	base plate		1	A	*
3906813020	stop cpl.		2-4,8,9	A	*
04091641	Threaded pin	M8x8 45H galvanized DIN916	5	A	*
3906813021	clamping jaw assy		6,7,10,14,117,123	A	*
01147231	GROOVED DOWEL PIN 5x10 ST 1472 BK	5x10	20	A	*
3906813022	chuck guard		25	A	*
3906813023	speed control		26	A	*
3906813024	front housing		28	A	*
3906813025	on/off switch	15A 250VAC	29	A	*
3906816002	speed regulator		32	A	*
03799601	Half round wood screw	3x12 DIN 7996	33	A	*
3906813026	LCD Display		34	A	*
3906813027	left housing		37	A	*
5906812013	shifting fork guide rail		51	A	*
5906812014	shifting fork		52	A	*
5906812015	carbon brush set with holder (= 2 pcs.)		53-55	A	*
3906816003	laser unit		82	A	*
5906812027	chuck speed detect sensor		83	A	*
5906812030	sponge for depth detector PCB + depth detector PCB + housing for depth detector PCB		85,86,88	A	*
3906813028	right housing		92	A	*
3906816004	feeding handle assy		94-96,18	A	*
5906812026	leaf spring		106	A	*
3906814013	Depth rod with scale		112, 12	A	*
5906812025	capacitor	0,1µF 250V	120	A	*
5906812004	LED		130	A	*



3906816975

Drill Press
PTBMOD710B2
Parkside Lidl
geographical zone 2 -

Main products

Spare part list

3906816975

211439 - 0110 - PTBMOD710B2 - -

Spare	Description	additional	Item	Abb.	ConstructStatus
3305026009	chuck key 6 mm	6 mm	o.Abb.	A	*
01091105	Hexagon stud wrench	SW4 blank	o.Abb.	A	*
3906813030	open end wrench for chuck SW16	SW16	o.Abb.	A	*
3906813031	enclosed accessories bag		o.Abb.	A	*

!!! Do you know: From now on you can view spare parts lists in our spare parts shop and order spare parts and accessories directly. More information can be found here: <https://www.scheppach.com/Shop.aspx>